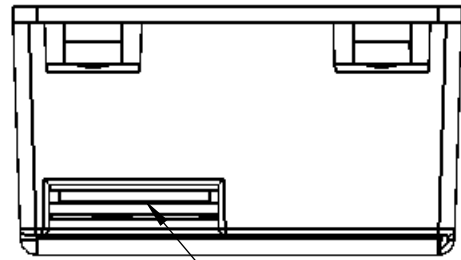
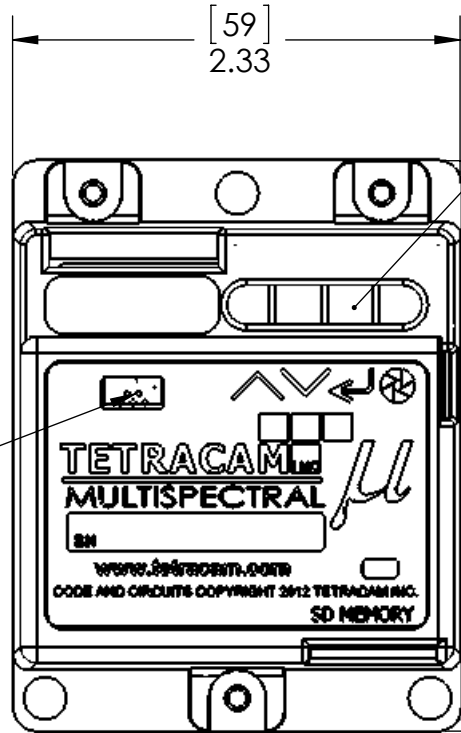
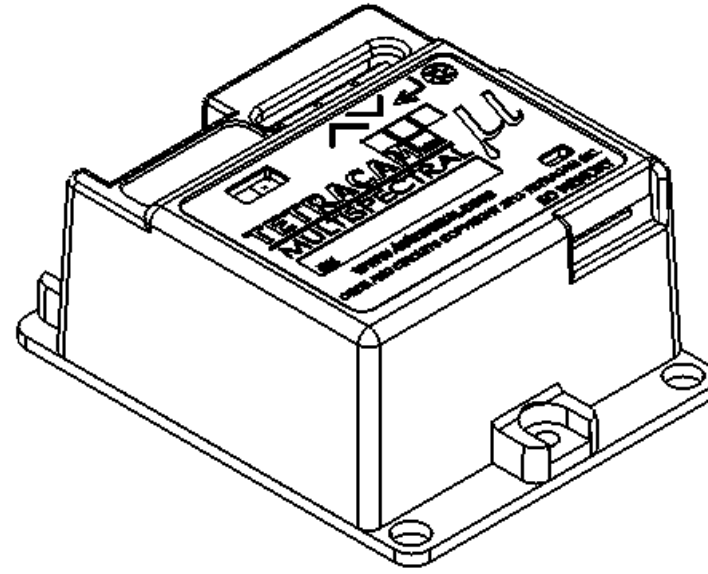


THE INFORMATION CONTAINED IN THIS DRAWING IS THE SOLE PROPERTY OF TETRACAM INC. ANY REPRODUCTION IN PART OR WHOLE WITHOUT THE WRITTEN PERMISSION OF TETRACAM INC. IS PROHIBITED.

REVISIONS			
REV.	DESCRIPTION	DATE	APPROVED



MAIN INTERCONNECT



[59]
2.33

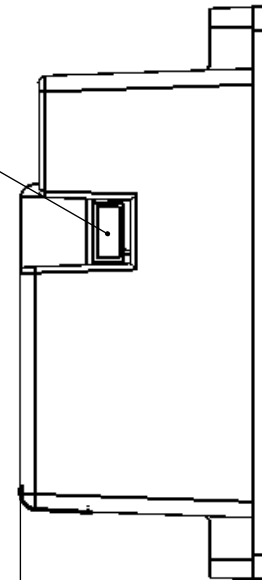
CONTROL BUTTONS (4X)

[75]
2.97

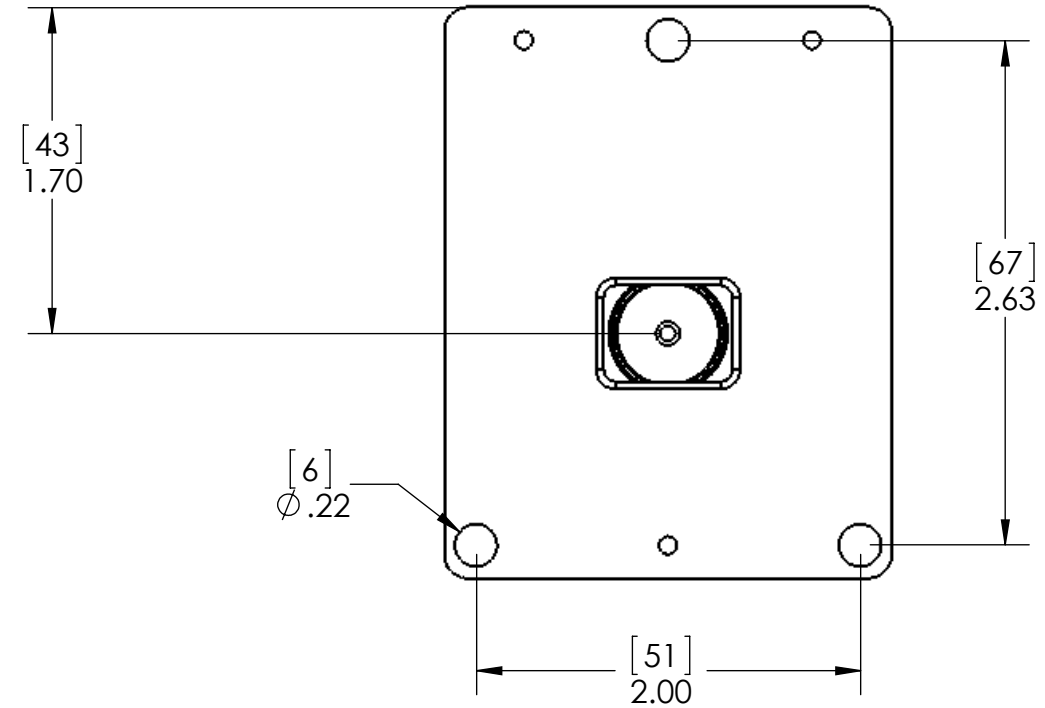
USB I/O



SERIAL IN
(GPS/IMU)



[33]
1.29

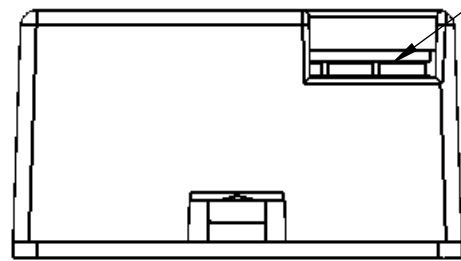


[43]
1.70

[67]
2.63

[6]
Ø.22

[51]
2.00



SD CARD SLOT

② FINISH:

① MAT'L:

NOTES: UNLESS SPECIFIED OTHERWISE

THIS DRAWING IS PRELIMINARY AND SUBJECT TO SIGNIFICANT CHANGES

ITEM NO.	PART OR IDENTIFYING NO.	NOMENCLATURE OR DESCRIPTION	MATERIAL SPECIFICATION	QTY REQD
PARTS LIST				
UNLESS OTHERWISE SPECIFIED DIMENSIONS ARE IN INCHES TOLERANCES ARE:		CAD GENERATED DRAWING, DO NOT MANUALLY UPDATE		
DECIMALS ANGLES		APPROVALS	DATE	TETRACAM INC 21601 DEVONSHIRE ST. SUITE 310 CHATSWORTH CA. 91311 818 667-1731 FAX 818 718-7103
±.XX ±.XX ± 1.0	±.XXX ±.XXX ± 0.1	DRAWN S. HEINOLD		
MATERIAL ①		CHECKED		
FINISH ②		RESP ENG		MICRO ADC ENVELOPE
NEXT ASSY USED ON		MFG ENG		
APPLICATION DO NOT SCALE DRAWING		QUAL ENG		SIZE B DWG. NO. MADC-002 REV. ET
		SCALE	CAD FILE: MADC-002	SHEET 1 OF